

HomeFibers' FIOC (Field-installable Optical Connector)

[Re-assembly procedure]

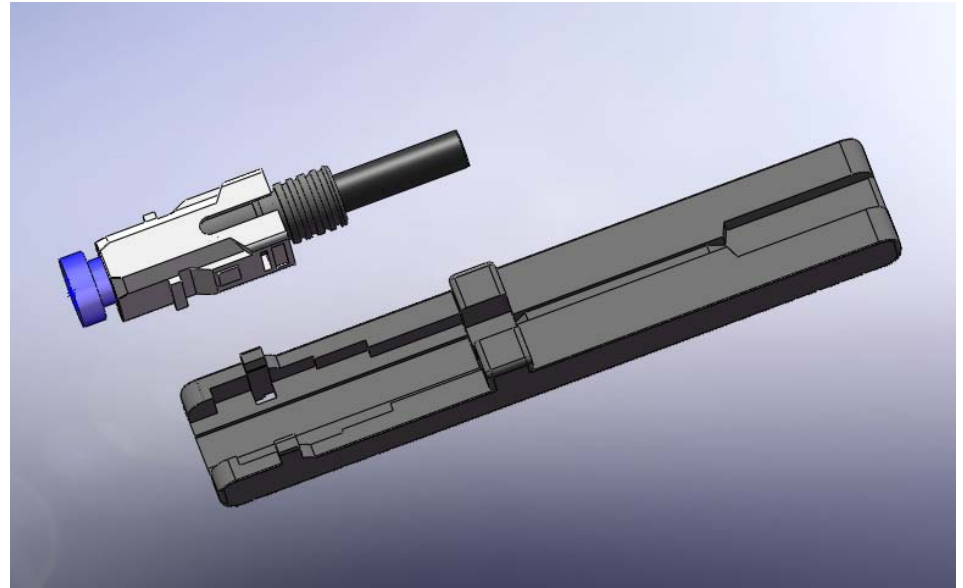
<http://www.homefibers.com>

Research and Development Team



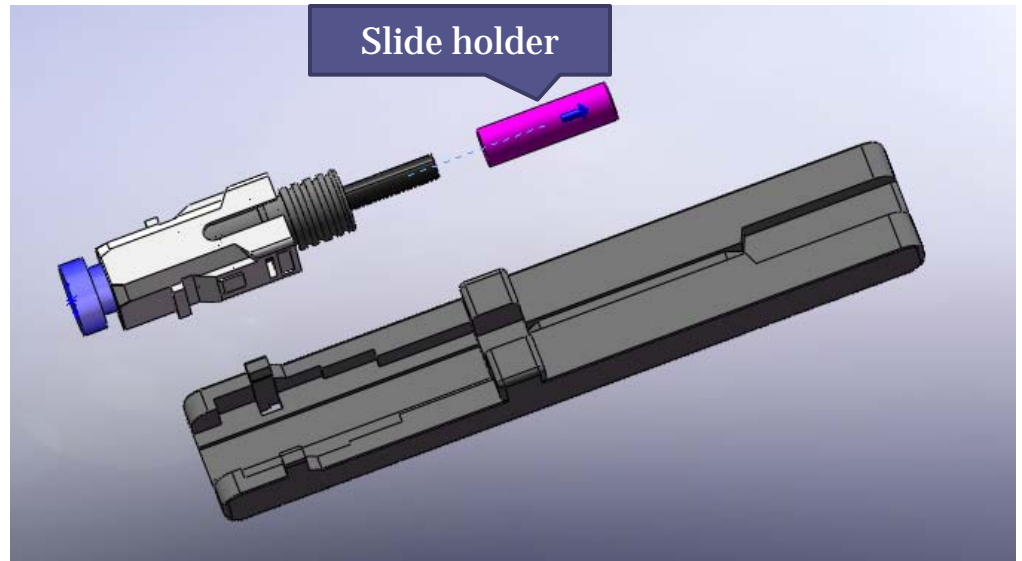
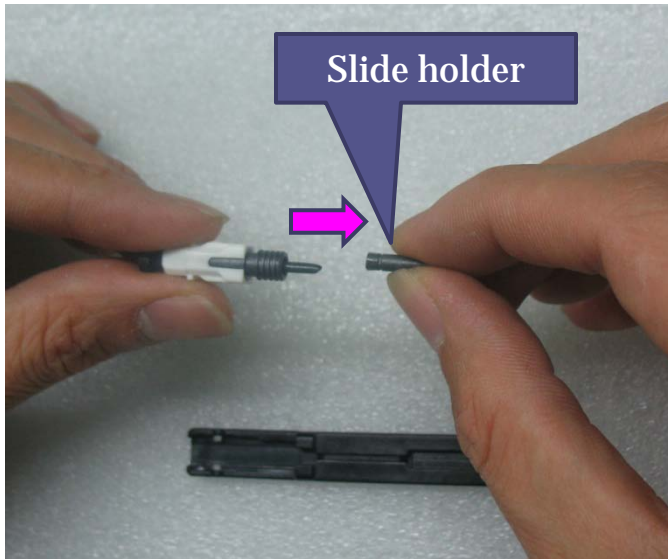


Re-assembly procedure - 1



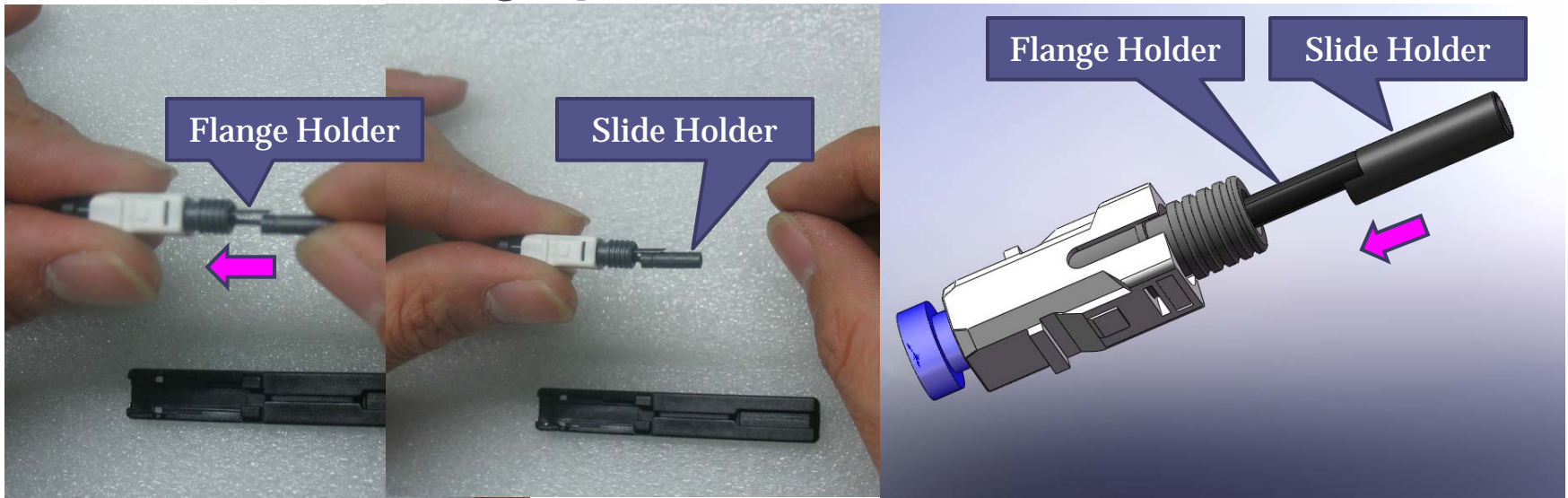
This is the re-assembly procedure for HomeFibers' Field-installable optical connectors (FIOCs).

Re-assembly procedure - 2



Pull out the slide holder to right-hand side, as shown in the picture above.

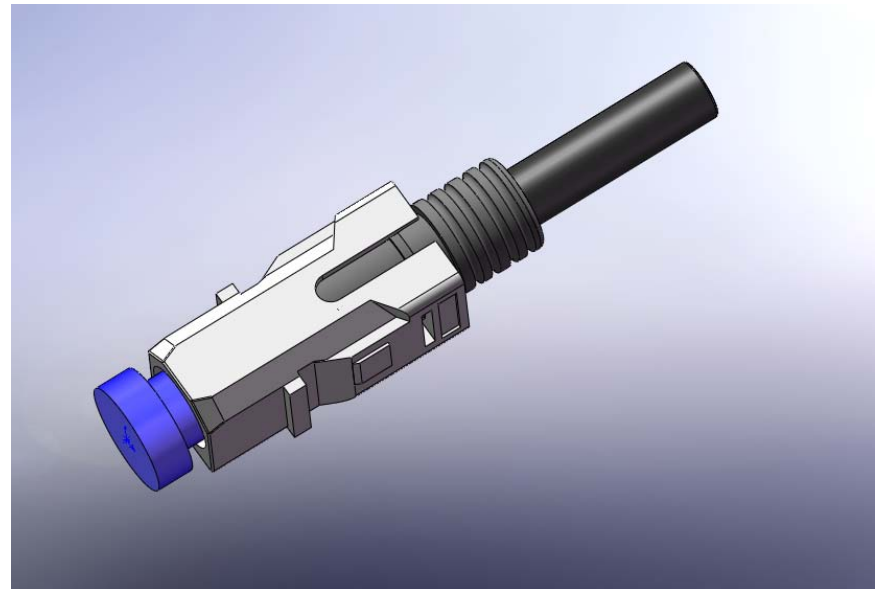
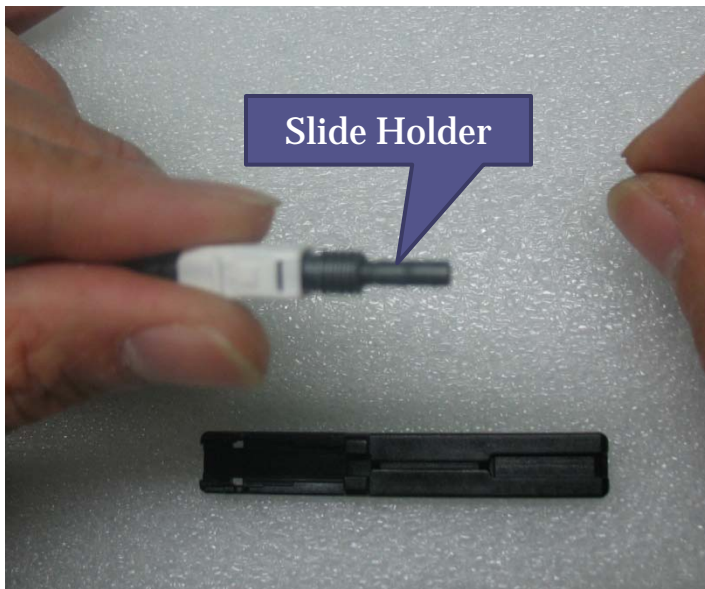
Re-assembly procedure - 3



Make the flange holder wide open using the slide holder to be ready for putting the fiber, as shown in the picture above.



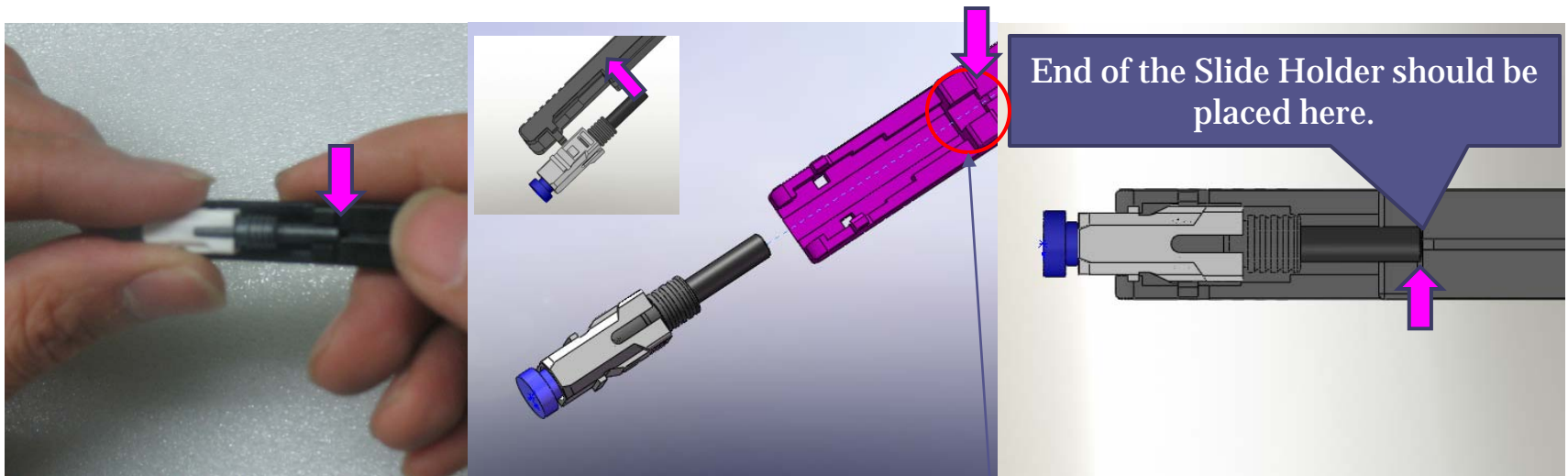
Re-assembly procedure - 4



Make sure that the slider holder is located at the same position in the slide 1, as shown in the picture above.



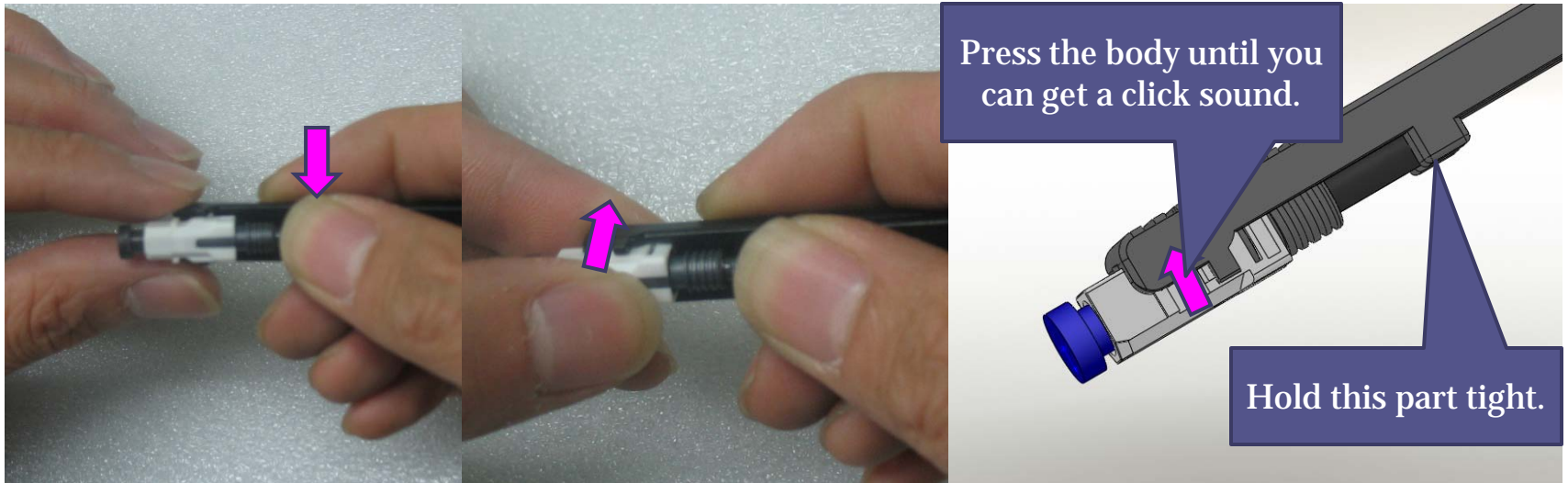
Re-assembly procedure - 5



Place the end of the slide holder on the insertion guide as shown in the picture above.

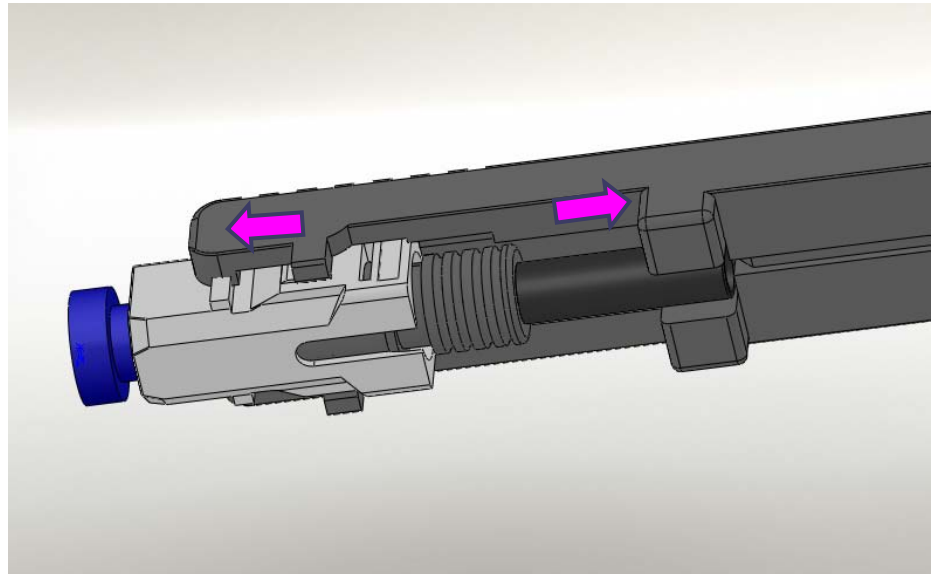
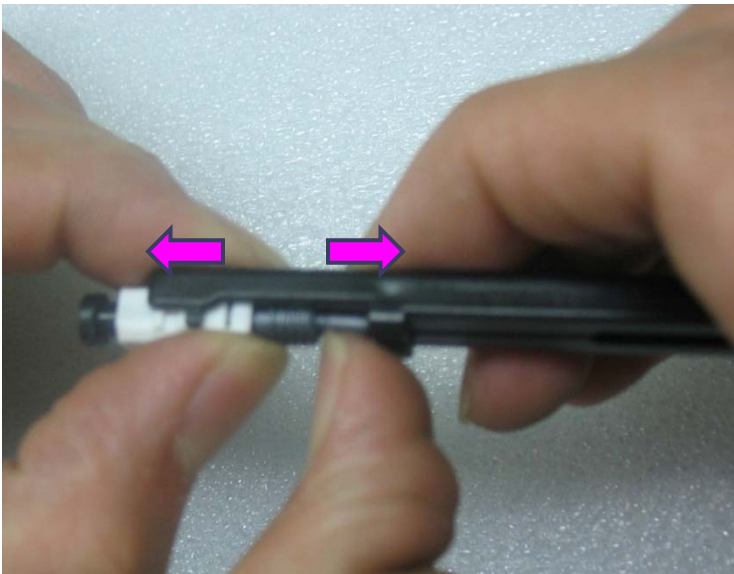


Re-assembly procedure - 6



Hold tight both the end of the slide holder and the insertion guide, and press down the connector body until you can get a click sound, as shown in the picture above.

Re-assembly procedure - 7



To make sure that every part is located properly, pull the slide holder to right-hand side using the tip of the thumb nail, and pull the body to left-hand side as shown in the picture above. This is the end of the procedure.